

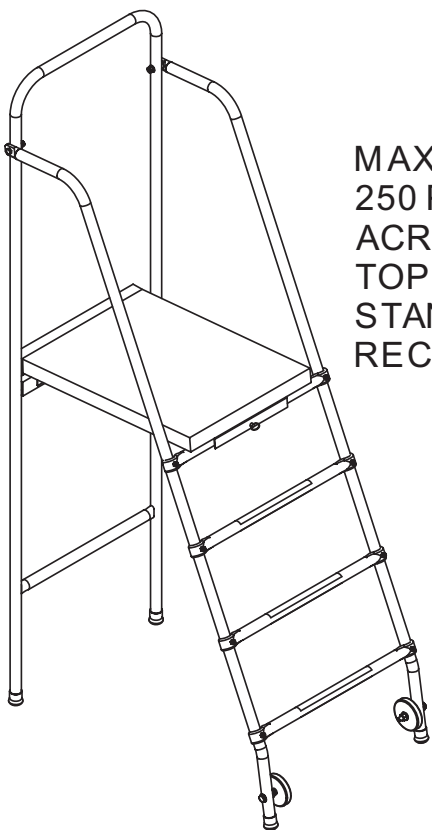
ASSEMBLY INSTRUCTIONS VRS-6000

PLEASE NOTE:

- 1) FOR SAFE OPERATION AND CONTINUED HIGH PERFORMANCE FROM THIS EQUIPMENT, INSPECTION AND MAINTENANCE MUST BE PERFORMED BEFORE EACH USE
- 2) USE OF THIS EQUIPMENT OTHER THAN INTENDED, MAY BE HAZARDOUS.
- 3) ALTERATION OR MODIFICATION OF EQUIPMENT MAY BE HAZARDOUS. FOR REPAIR OR REPLACEMENT, PLEASE CALL YOUR DEALER

PARTLIST

TEM#	ITEM DESCRIPTION	QTY
1	Ladder frame	2EA
2	Front frame	1EA
3	Ladder cross bar-upper	1EA
4	Ladder cross bar	3EA
5	Foot Pad assembly (pre-assembled to Front frame)	1EA
6	Front pad (pre-assembled to Front frame)	1EA
7	Lock pin	1EA
8	Teflon Washer	2EA
9	Hex bolt M12x100	2EA
10	Flat washer M12	6EA
11	Hex nut M12	2EA
12	Lock nut M12	2EA
13	Hex bolt M10x55	2EA
14	Flat washer M10	2EA
15	Lock nut M10	2EA
16	Hex bolt M8x50	8EA
17	Flat washer M8	8EA
18	Lock nut M8	8EA
19	Philips head screw M6x50 (pre-assembled to foot pad assembly)	8EA
20	Philips head screw M6x20 (pre-assembled to foot pad assembly)	6EA
21	Flat washer M6 (pre-assembled to foot pad assembly)	14EA
22	End cap (pre-assembled)	4EA
23	Wheel 6"	2EA

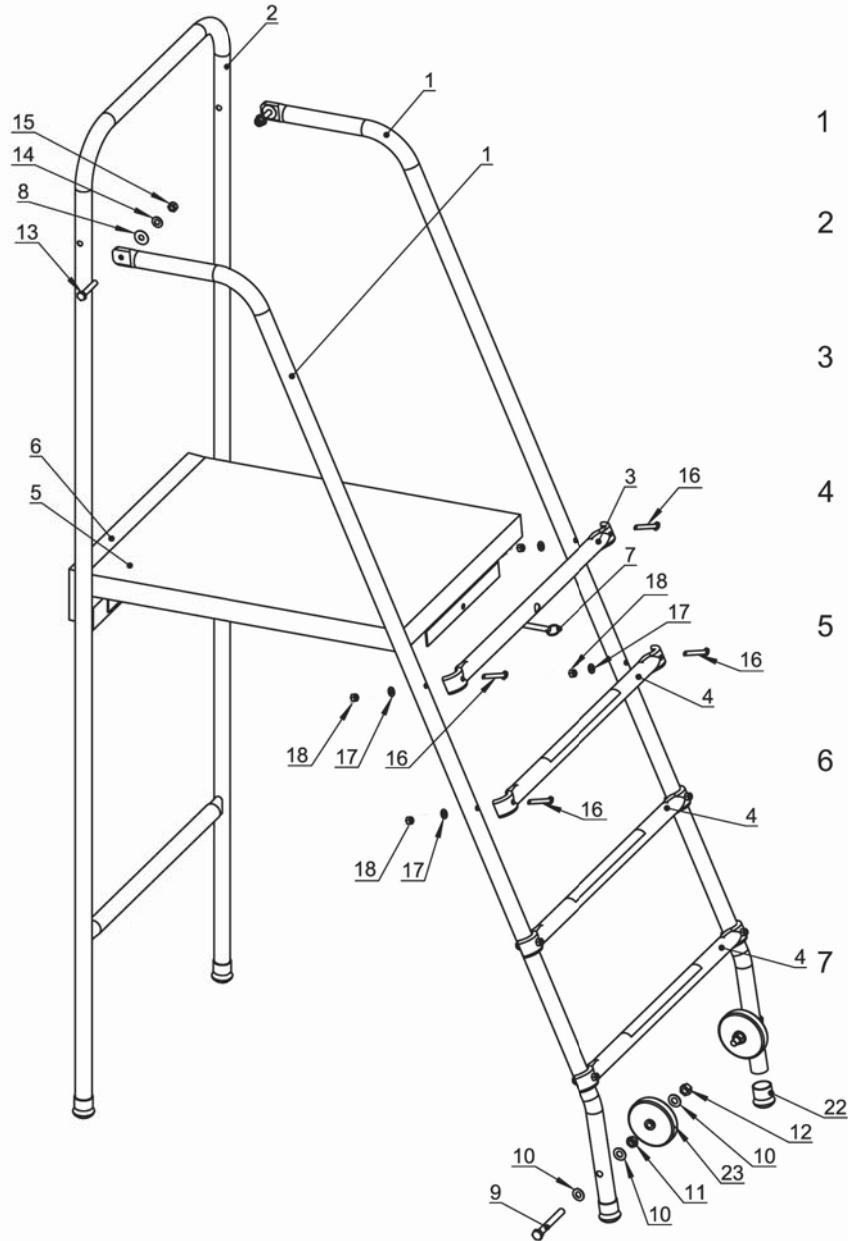


CAUTION
MAXIMUM ALLOWABLE LOAD IS 250 POUNDS. DO NOT LEAN ACROSS RAILINGS OR UNIT MAY TOPPLE OVER. A REFEREE STAND PAD IS STRONGLY RECOMMENDED.

MODEL NUMBER:	CHECKED BY:
PRODUCT NAME: VRS-6000	
EFFECTIVE DATE: FEB/21/2010	DRAWN BY:

ASSEMBLY INSTRUCTIONS

VRS-6000



ASSEMBLY STEPS:

- 1 Unpack unit and check all parts against part list. Read all assembly instructions and caution labels carefully.
- 2 Assemble ladder frame(1) to front frame (2) using hex bolt M10x55mm (13), Teflon washer (8), flat washer M10 (14) and Lock nut M10). The Teflon washer should be placed between Front frame and Ladder frame.
- 3 Attach Ladder crossbar-upper (3) (with hole for lock pin) to Ladder frame (1) using Hex bolt M8x50 (16), Washer M8 (17) and Lock nut M8 (18). Note: The pin hole should be horizontal after installation.
- 4 Pull up Foot pad (5) and place Pad bracket under pad over Ladder crossbar-upper (3), align the hole in bracket with the hole in crossbar (3). Slider Lock pin (7) all the way thru aligned holes till it is locked.
- 5 Attach Ladder crossbar(4) (with non-slip pad) to Ladder frame (1) using Hex bolt M8x50 (16), Washer M8 (17) and Lock nut M8 (18). Note: Please make sure the non-slip pad is facing up.
- 6 Assemble the Wheel to the bottom of Ladder frame (1) using Hex bolt M12x100mm (9), Washer M12 (10), Hex nut M12 (11) and Lock nut M12 (12). Fasten the Hex nut M12 (11) to make sure the Hex bolt is fixed securely, and loose tighten Lock nut M12 (12) to allow Wheel spin smoothly.
- 7 Tighten all bolts and nuts used in above steps.

CAUTION

LOCK PIN (7) MUST BE FULLY INSERTED THRU PLATFORM BRACKET TO SAFELY LOCK PLATFORM IN POSITION. CHECK THIS CONNECTION BEFORE EVERY USE.