

VRS-6000

Folding Referee Stand

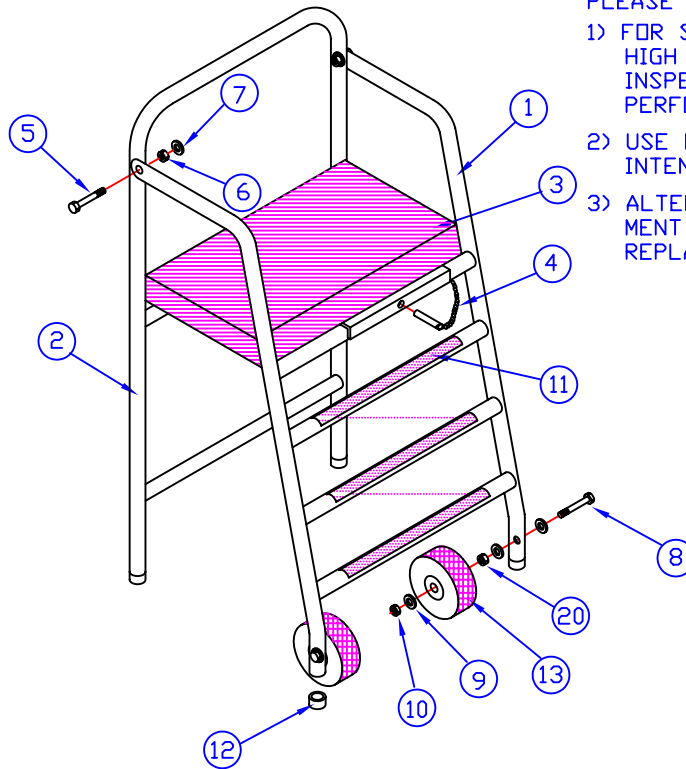
VRS-6000 w/padding(VRS-60P sold seperately)



- * Sturdy 1 $\frac{5}{16}$ " steel tubing has a tough, powder coated finish.
- * Four legs have protective rubber tips and and attached 4" non-marring wheels on the front leg for easy transportability.
- * Folds flat to an overall size of 84" Hx30" Wx 10" D for compact storage.
- * Wide vinyl coated platform is 48" above the floor and is fully padded on sides for player safety.



ILLUSTRATION #1



PLEASE NOTE:

- 1) FOR SAFE OPERATION AND CONTINUED HIGH PERFORMANCE FROM THIS EQUIPMENT, INSPECTION AND MAINTENANCE MUST BE PERFORMED BEFORE EACH USE
- 2) USE OF THIS EQUIPMENT OTHER THAN INTENDED, MAY BE HAZARDOUS.
- 3) ALTERATION OR MODIFICATION OF EQUIPMENT MAY BE HAZARDOUS. FOR REPAIR OR REPLACEMENT, PLEASE CALL YOUR DEALER

CAUTION

LOCKING PIN (4) MUST BE FULLY INSERTED THRU PLATFORM BRACKET TO SAFELY LOCK PLATFORM IN POSITION. CHECK THIS CONNECTION BEFORE EVERY USE

CAUTION

MAXIMUM ALLOWABLE LOAD IS 250 POUNDS. DO NOT LEAN ACROSS RAILINGS OR UNIT MAY TOPPLE OVER. A REFEREE STAND PAD IS STRONGLY RECOMMENDED.

VRS-6000

REFEREE STAND

REV.	DESCRIPTION	DATE	BY	DRAWING NAME / PART NO.: VRS-6000	
				DRAWN BY: B.T.S.	
				CHK'D BY: CHK'D BY	
				ISSUE DATE: 8-26-04	
				SHEET: 1 OF 1	
				REV. A	
VRS-6000					
Folding Referee Stand					
THIS PRINT IS THE PROP					